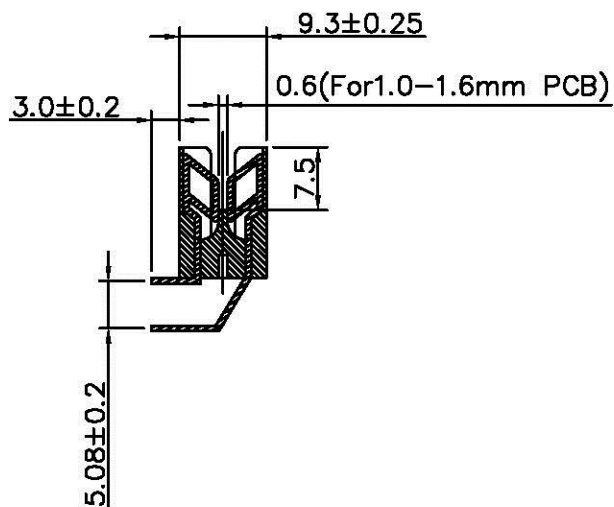
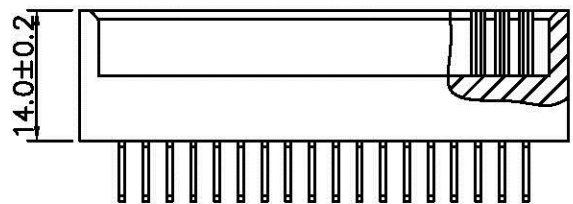


SPECIFICATIONS

Current Rating:3A
 Dielectric Withstanding Volatge:1000V AC/1 Min
 Contact Resistance:20Milliohms Max
 Insulation Resistance:5000Megohm Min At 500V DC
 Operating Temperature:-55°C~+85°C
 Insertion Force:340g Max Per Pair
 Withdrawal Force:28g Min Per Pair
 Insulator:Glass-Fiber PBT(UL94V-0)
 Contact: Brass (B)
 Plating:Gold Plating Over Nickel.
 RoHS Compliant



GS-R-050-LF
 LEADFREE
 RoHS Compliant

Allconnectors

www.allconnectors.de
 Tel.: 0049 711 709503
 70759 Filberstadt - Germany

info@allconnectors.de
 Fax: 0049 711 709504
 Keitelerstr. 25

PART NO. GS-R-050

DWG NO. GS-R-050

FILE NO.

UNIT / mm

SCALE 1:1

CHECKED BY CY

DRAWING BY

PROJECTION

TOLERANCES ARE

.X ± 0.2
 .XX ±
 .XXX ±
 AWG

DESCRIPTION:

AREA	REVISIONS	HK	DATE